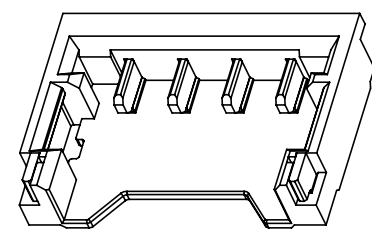
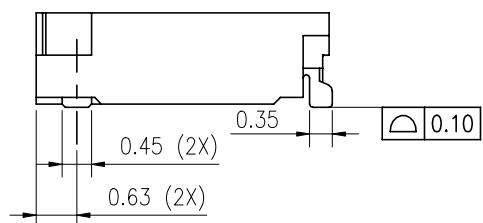
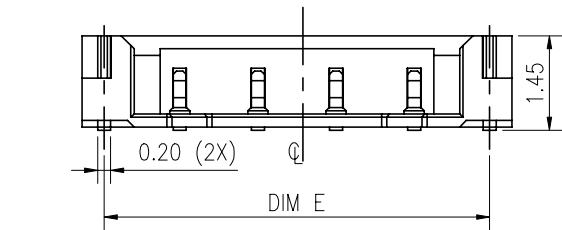


RECOMMENDED PCB LAYOUT  
(GENERAL TOLERANCE ±0.05)



NOTES:

1. MATERIAL:
    - 1.1 HOUSING:HTN;UL94V-0.
    - 1.2 CONTACT:BRASS.
    - 1.3 FITTING NAIL: BRASS
  - 2.FINISH:
    - 2.1 TERMINAL CONTACT:
      - 2.1.1 50u" MIN.NICKEL UNDERPLATING OVERALL
      - 1: GOLD FLASH(1~3U") ON CONTACT AREA AND SOLDER AREA
      - U: CONTACT AREA: 5u" GOLD PLATING
      - SOLDER AREA: GOLD FLASH
      - M: GOLD FLASH(1~3U") ON CONTACT AND SOLDER AREA FOR SELECTIVENESS PLATING
    - 2.1.2 100u" MIN.NICKEL UNDERPLATING OVERALL
    - T: 10u" GOLD ON CONTACT AND GOLD FLASH ON SOLDER AREA
  - 2.2 FITTING NAIL:
    - 50~100u" NICKEL UNDERPLATING OVERALL
    - 100u" MIN. MATT TIN PLATING
- 3.SPEC.PLS.REFER TO PS-50269-xxxx-xxx
- 4.PACKAGE PLS. SEE PART NUMBER
- 5.PART NUMBER

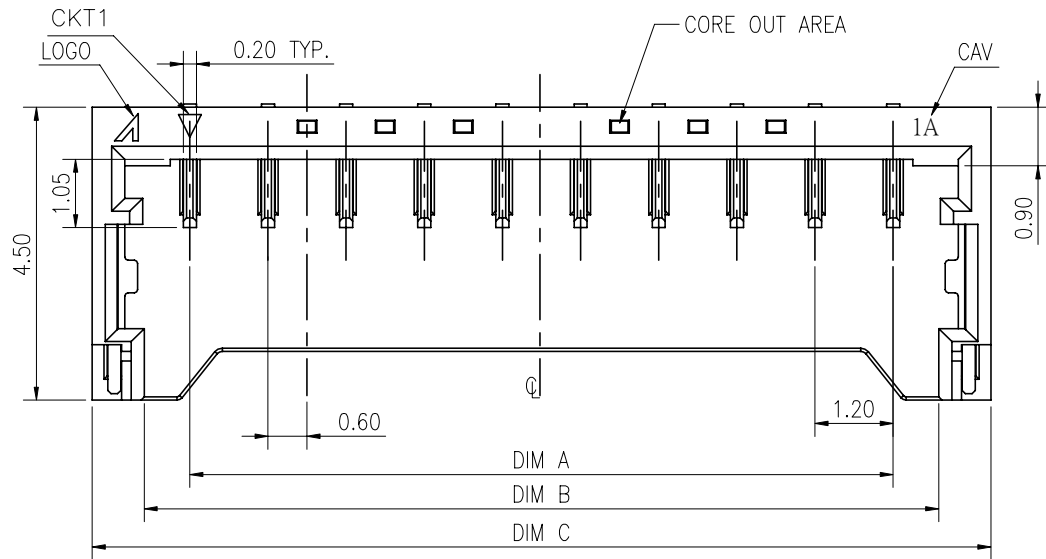
50269-XXX X X-XXX  
NO OF CKT  
PACKING  
O:TAPE & REEL

XXX	PACKAGE	Material/Color
001	9122-XXXX-TRP	HF PLASTIC & BLACK
002	9122-XXXX-05-TRP(No 2PNS)	HF PLASTIC & BLACK
003	9122-XXXX-U-TRP	HF PLASTIC & BLACK
004	9122-XXXX-U-TRP	HF PLASTIC & BLACK
005	9122-XXXX-09-TRP	HF PLASTIC & BLACK
006	9122-XXXX-07-TRP	HF PLASTIC & BLACK
007	9122-XXXX-07-TRP	HF PLASTIC & BLACK
008	9122-XXXX-07-TRP	HF PLASTIC & BLACK
009	9122-XXXX-U-TRP	HF PLASTIC & BLACK
010	9122-XXXX-09-TRP	HF PLASTIC & BLACK
011	9122-XXXX-05-TRP(No 2PNS) UP BONDING	HF PLASTIC & BLACK
012	9122-XXXX-07-TRP	HF PLASTIC & BLACK
013	9122-XXXX-07-TRP	HF PLASTIC & BLACK
014	9122-XXXX-U-TRP	HF PLASTIC & BLACK
015	9122-XXXX-09-TRP	HF PLASTIC & BLACK

PLATING  
1: GOLD FLASH  
U: CONTACT AREA: 5u" GOLD PLATING  
SOLDER AREA: GOLD FLASH  
M: GOLD FLASH ON CONTACT AND  
SOLDER AREA FOR SELECTIVENESS PLATING  
T: 10u" GOLD ON CONTACT AND  
GOLD FLASH ON SOLDER AREA

CKT	Dim A	Dim B	DimC	DimE
2	1.2	2.6	4.2	3.52
3	2.4	3.8	5.4	4.72
4	3.6	5.0	6.6	5.92
5	4.8	6.2	7.8	7.12
6	6.0	7.4	9.0	8.32
7	7.2	8.6	10.2	9.52
8	8.4	9.8	11.4	10.72
9	9.6	11.0	12.6	11.92
10	10.8	12.2	13.8	13.12

<b>QUALITY SYMBOLS</b> MAJOR Ⓜ CRITICAL Ⓢ <b>GENERAL TOLERANCES</b> (UNLESS SPECIFIED) X. ±0.5 .X ±0.25 .XX ±0.15 .XXX ±0.1 ANGLES ±2°	DRAWN BY Huang,ShunSen DATE 23/10/17		TITLE <b>1.2mm Pitch WTB Wafer Conn.SMT S/R S/T Type</b>	
	CHECKED BY Lu, jing quan DATE 23/10/17			DWG NO. <b>50269-XXXXX-XXX</b>
	APPROVED BY hsieh,fu yu DATE 23/10/17	UNITS <b>mm</b>	SIZE <b>A4</b>	PART NO. <b>SEE NOTES</b>
	SCALE <b>2:1</b>	SHEET NO. <b>1 OF 2</b>	REV <b>V</b>	



CORE OUT AREA OF 5PIN ~ 15PIN

<b>QUALITY SYMBOLS</b> MAJOR CRITICAL	DRAWN BY Huang,ShunSen	DATE 23/10/17	
	CHECKED BY Lu, jing quan	DATE 23/10/17	
<b>GENERAL TOLERANCES</b> (UNLESS SPECIFIED)	APPROVED BY hsieh,fu yu	DATE 23/10/17	<b>TITLE</b> 1.2mm Pitch WTB Wafer Conn.SMT S/R S/T Type
	X. ±0.5 .X ±0.25 .XX ±0.15 .XXX ±0.1 ANGLES ±2°	UNITS mm	
	SCALE 2:1	SHEET NO. 2 OF 2	DWG NO. 50269-XXXXX-XXX
			PART NO. SEE NOTES